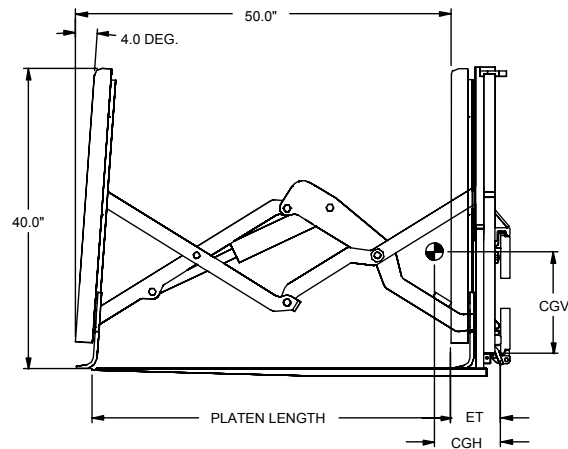
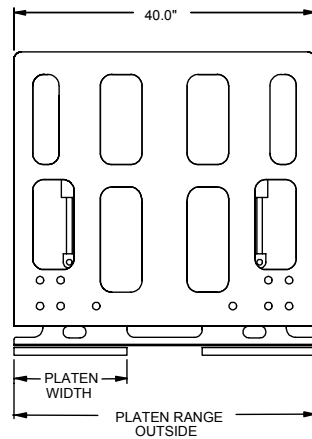


SPECIFICATIONS:



L35B SPECIFICATIONS:

CATALOG NO.	DESCRIPTION	CAPACITY	PLATEN SIZE (WIDTH X LENGTH)	MOUNTING CLASS	PLATEN RANGE (OUTSIDE)	WEIGHT (LBS.)	EFFECTIVE THICKNESS	HORIZONTAL CENTER OF GRAVITY	VERTICAL CENTER OF GRAVITY
L35B-PP-01	SIDE SHIFTING PUSH PULL	3500 LBS. @ 24" LOAD CENTER	18" X 48"	II	40" - 48"	1,200	6.2"	9.0"	9.2"
L35B-PP-02	SIDE SHIFTING PUSH PULL	3500 LBS. @ 24" LOAD CENTER	15" X 48"	II	34" - 42"	1,140	6.2"	8.2"	9.4"
L35B-PP-11	NON-SIDE SHIFTING PUSH PULL	3500 LBS. @ 24" LOAD CENTER	18" X 48"	II	40" - 48"	1,190	6.2"	8.8"	9.0"
L35B-PP-12	NON-SIDE SHIFTING PUSH PULL	3500 LBS. @ 24" LOAD CENTER	15" X 48"	II	34" - 42"	1,130	6.2"	8.1"	9.3"

L45B SPECIFICATIONS:

CATALOG NO.	DESCRIPTION	CAPACITY	PLATEN SIZE (WIDTH X LENGTH)	MOUNTING CLASS	PLATEN RANGE (OUTSIDE)	WEIGHT (LBS.)	EFFECTIVE THICKNESS	HORIZONTAL CENTER OF GRAVITY	VERTICAL CENTER OF GRAVITY
L45B-PP-01	SIDE SHIFTING PUSH PULL	4500 LBS. @ 24" LOAD CENTER	18" X 48"	II	40" - 48"	1,265	6.5"	9.0"	8.7"
L45B-PP-02	SIDE SHIFTING PUSH PULL	4500 LBS. @ 24" LOAD CENTER	15" X 48"	II	34" - 42"	1,195	6.5"	8.2"	9.2"
L45B-PP-11	NON-SIDE SHIFTING PUSH PULL	4500 LBS. @ 24" LOAD CENTER	18" X 48"	II	40" - 48"	1,255	6.5"	9.0"	8.5"
L45B-PP-12	NON-SIDE SHIFTING PUSH PULL	4500 LBS. @ 24" LOAD CENTER	15" X 48"	II	34" - 42"	1,185	6.5"	8.1"	9.3"

NOTE: Specifications subject to change without notice

HYDRAULIC RECOMMENDATIONS

OPERATING PRESSURE	RECOMMENDED FLOW
2,000 - 2,500 PSI	5 - 10 GPM